
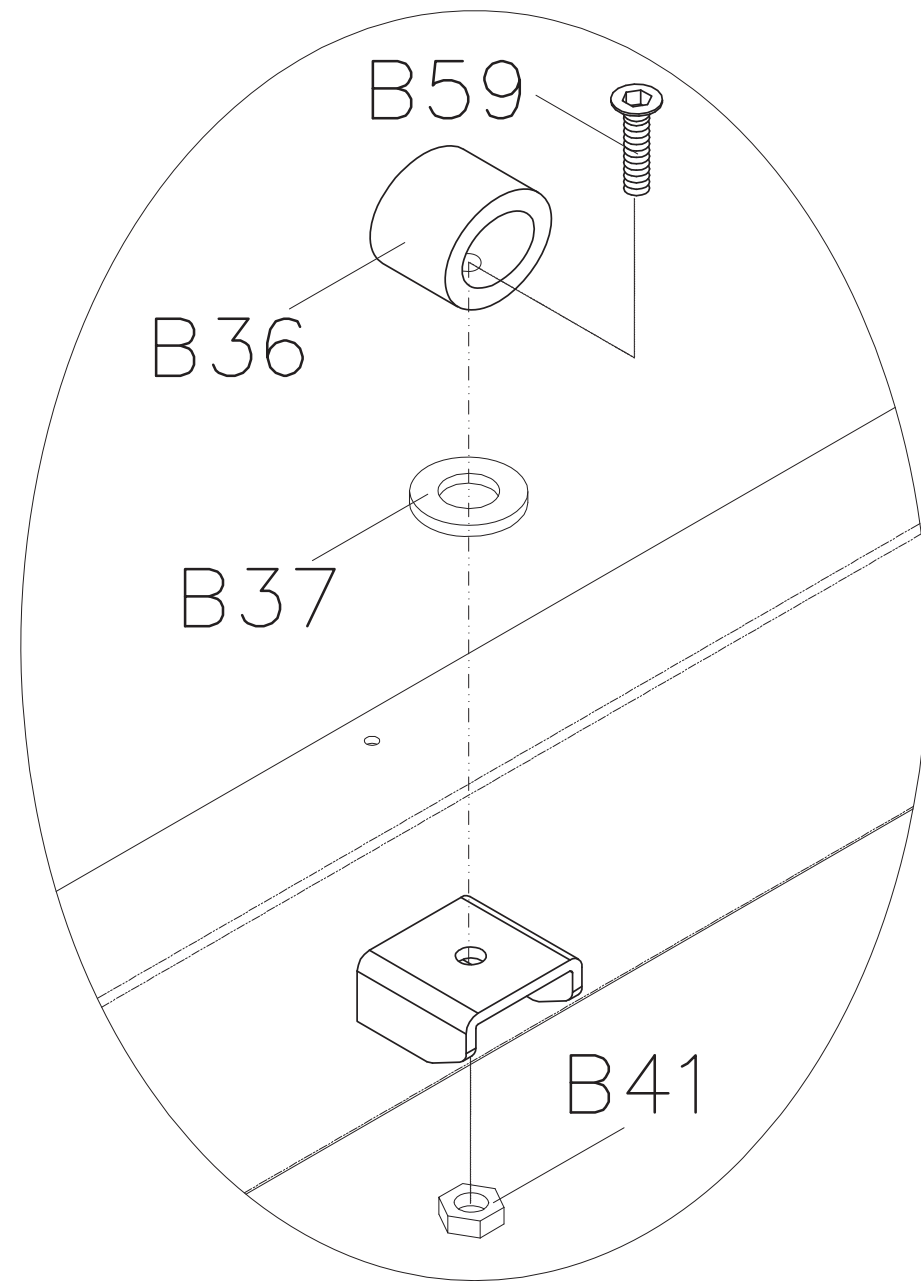
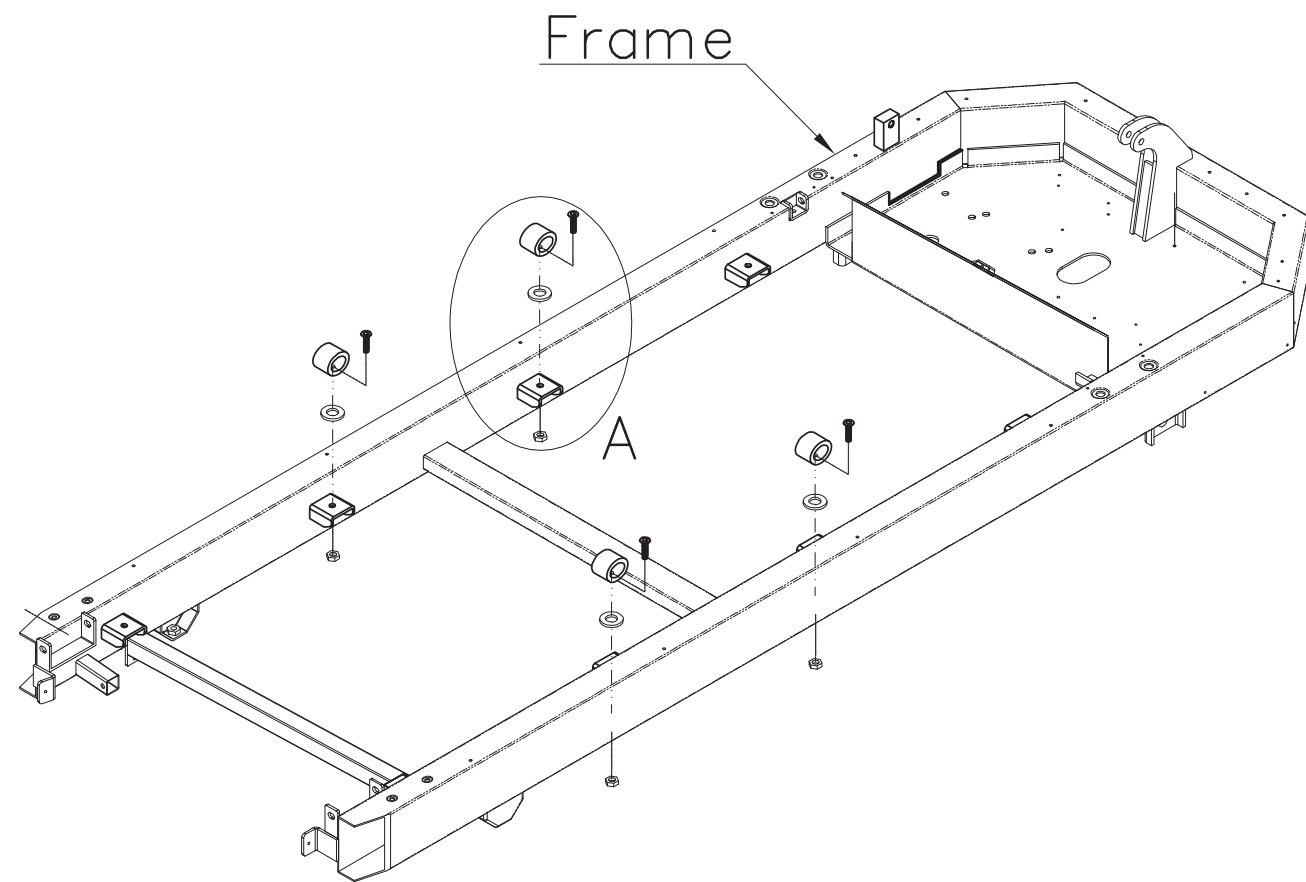




DRAWING NO	TM507-AB21		
PART NAME	Elastomer Set;Running Deck;Middle		
PART NO	As Attachment  C		
APPROVE	S.T.C	DATE	092110

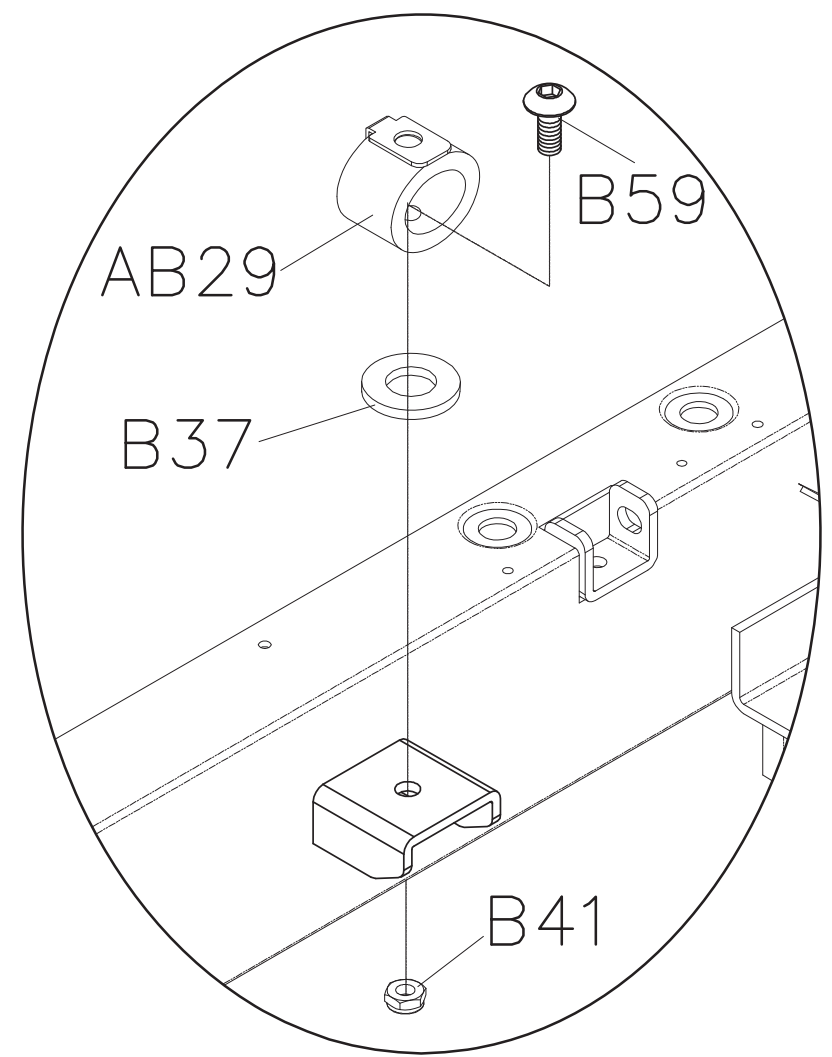
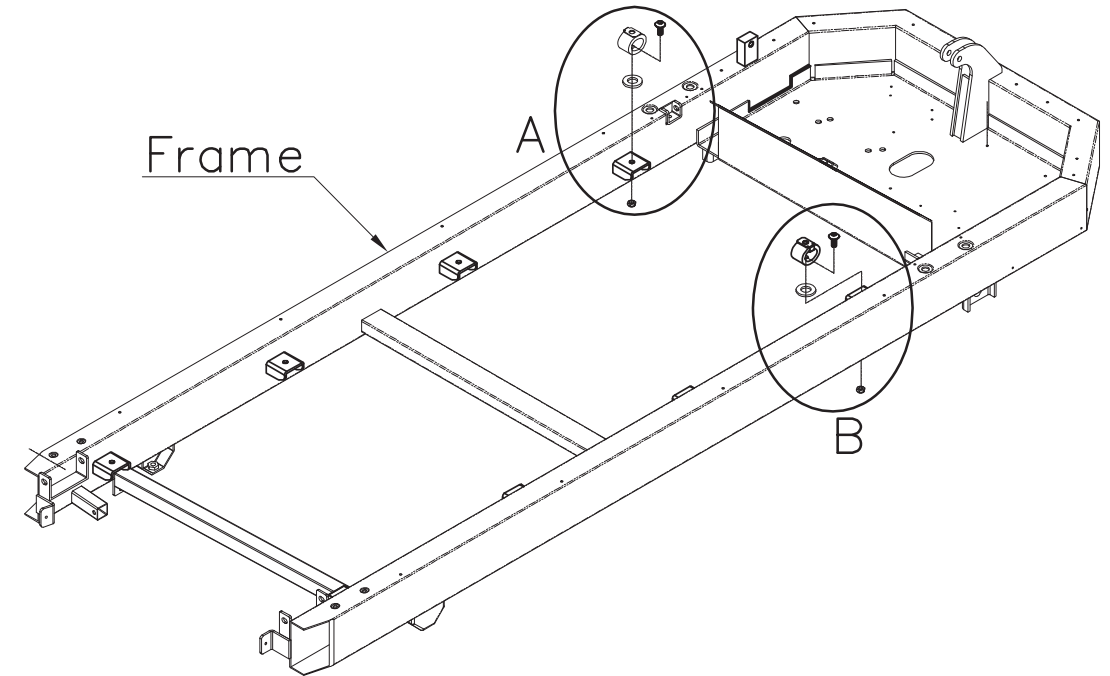
Part No.	Description
0000093039	Miner
0000095662	Nai Ri



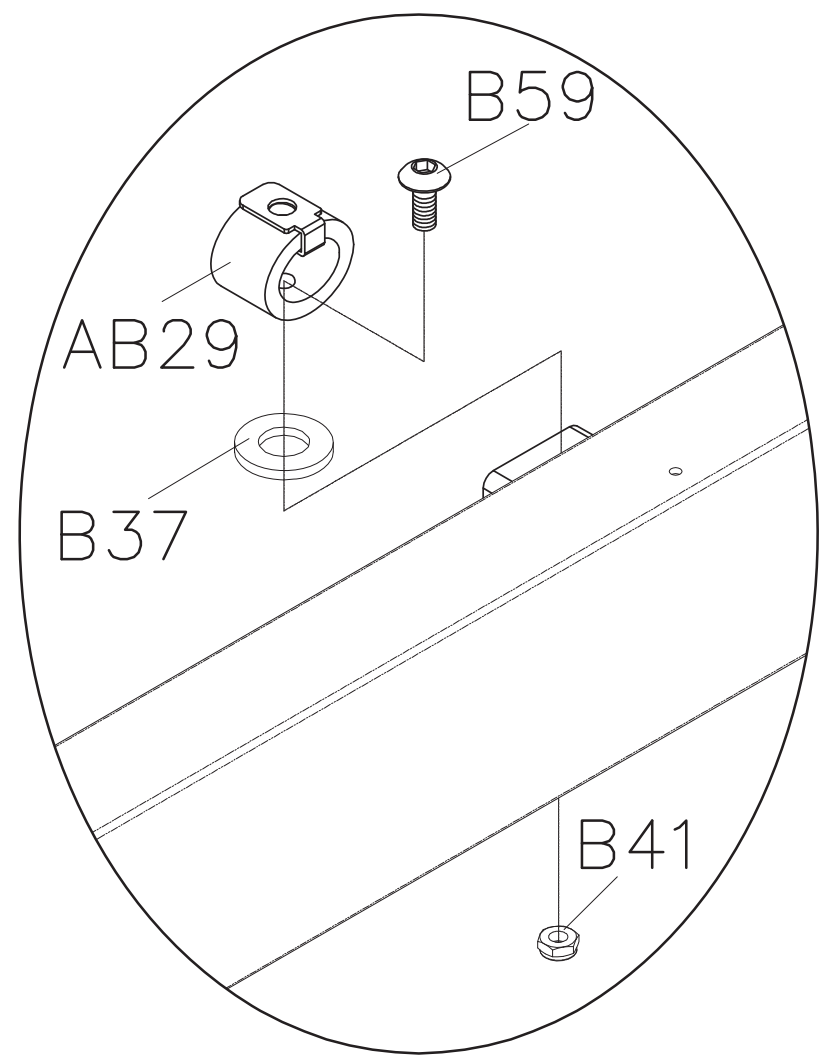
A(1:5)

DRAWING NO	TM507-AB20		
PART NAME	Elastomer Set;Running Deck;Front		
PART NO	As Attachment <sup>R</sup> / <sub>D</sub>		
APPROVE	S.T.C	DATE	092110


Part No.	Description
0000091091	Miner
0000095661	Nai Ri

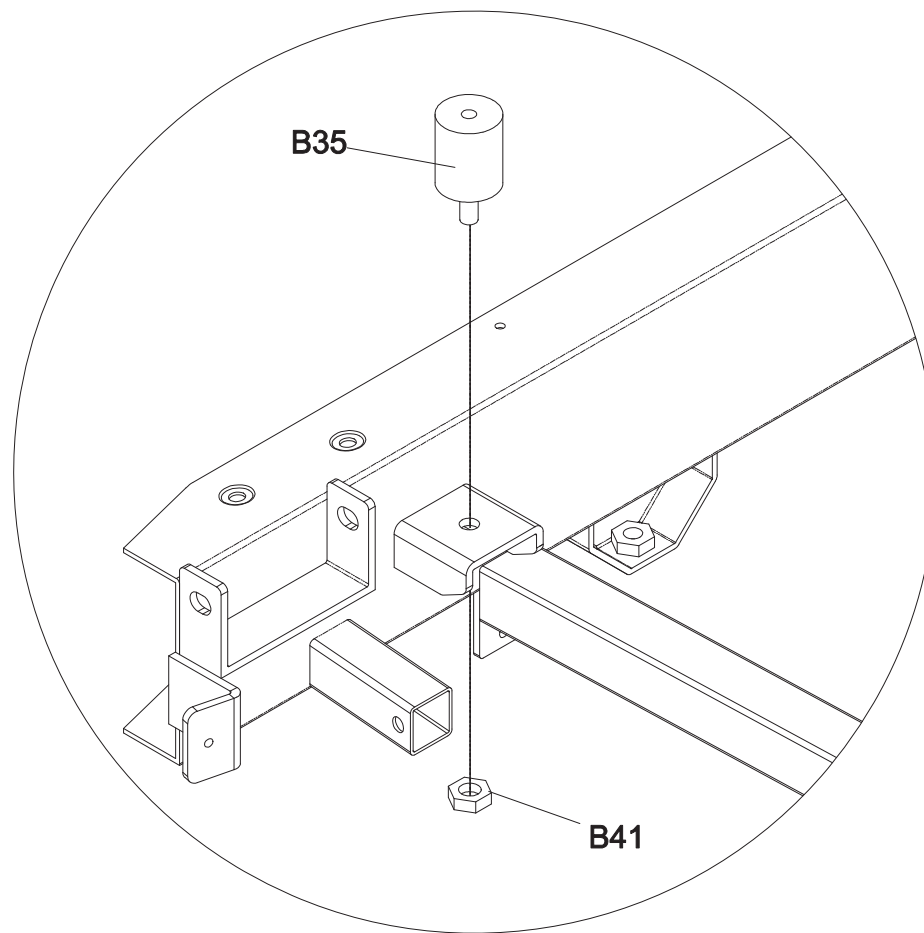
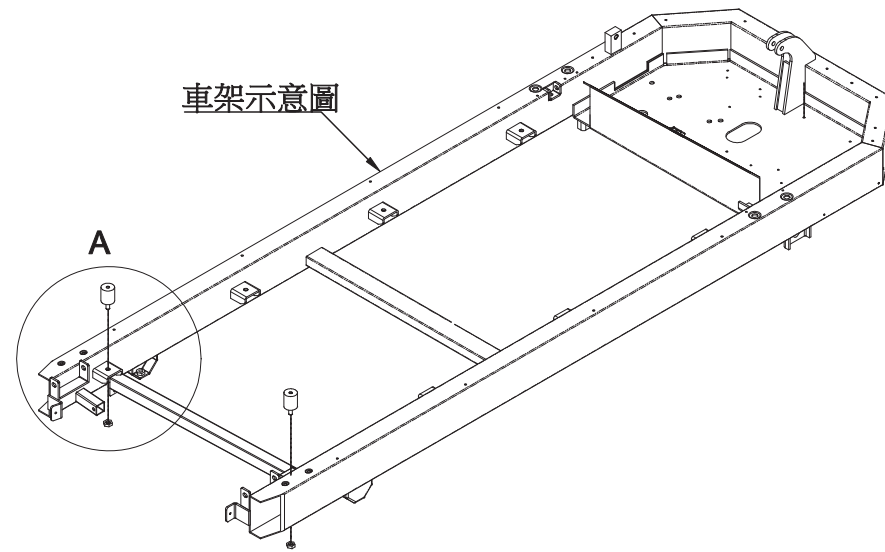


A(1:5)



B(1:5)

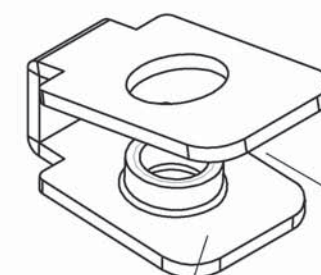
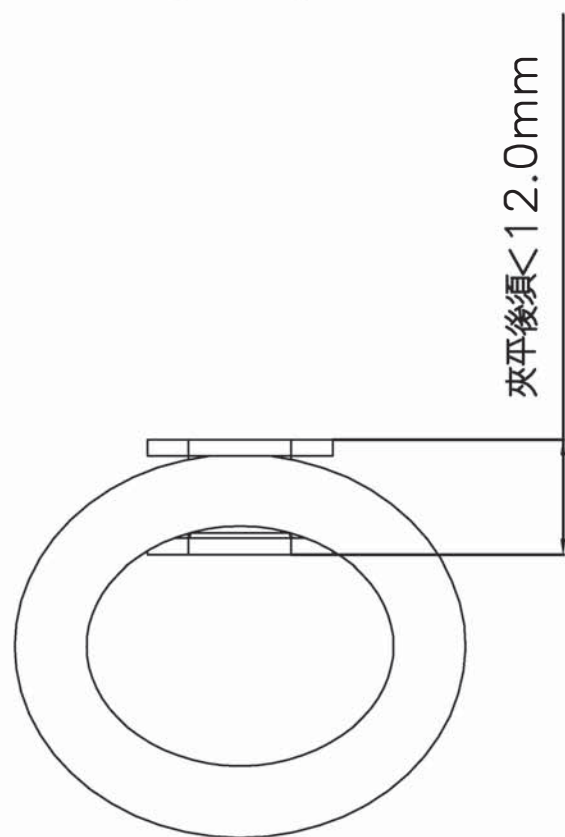
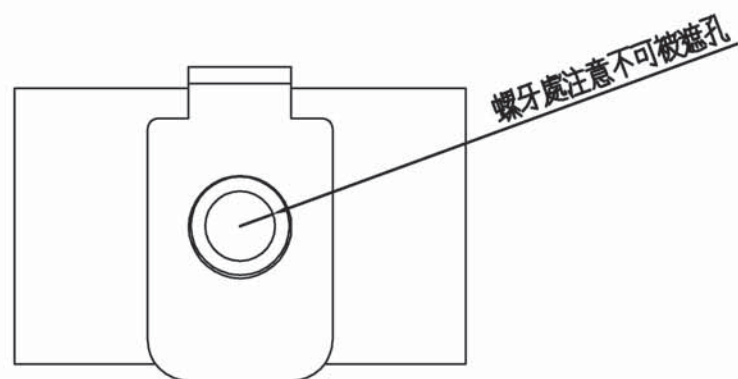
DRAWING NO	TM507-AB22
PART NAME	Elastomer Set
PART No.	0000091092
APPROVE	Longyb  A



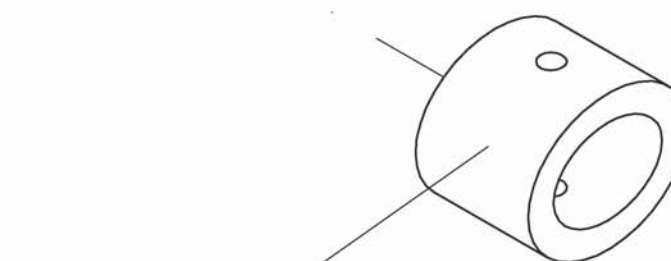
A詳圖(1:5)



DRAWING NO	TM501-AB29		
PART NAME	Elastomer Set; Miner		
PART NO	As Attachment <sup>REV</sup> C		
APPROVE	S.T.C	DATE	092110




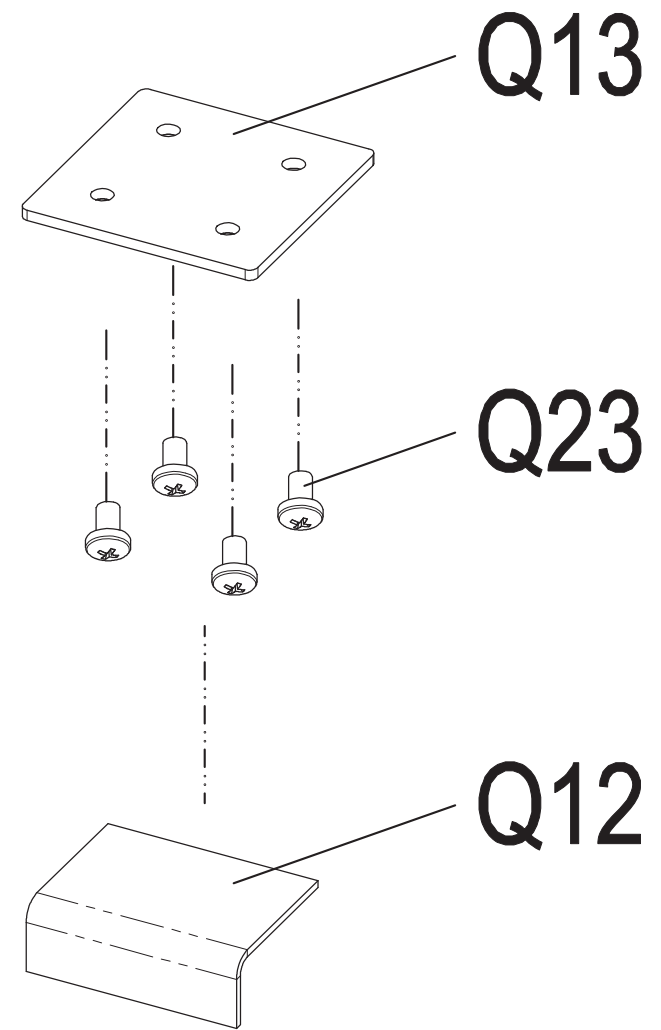
B33



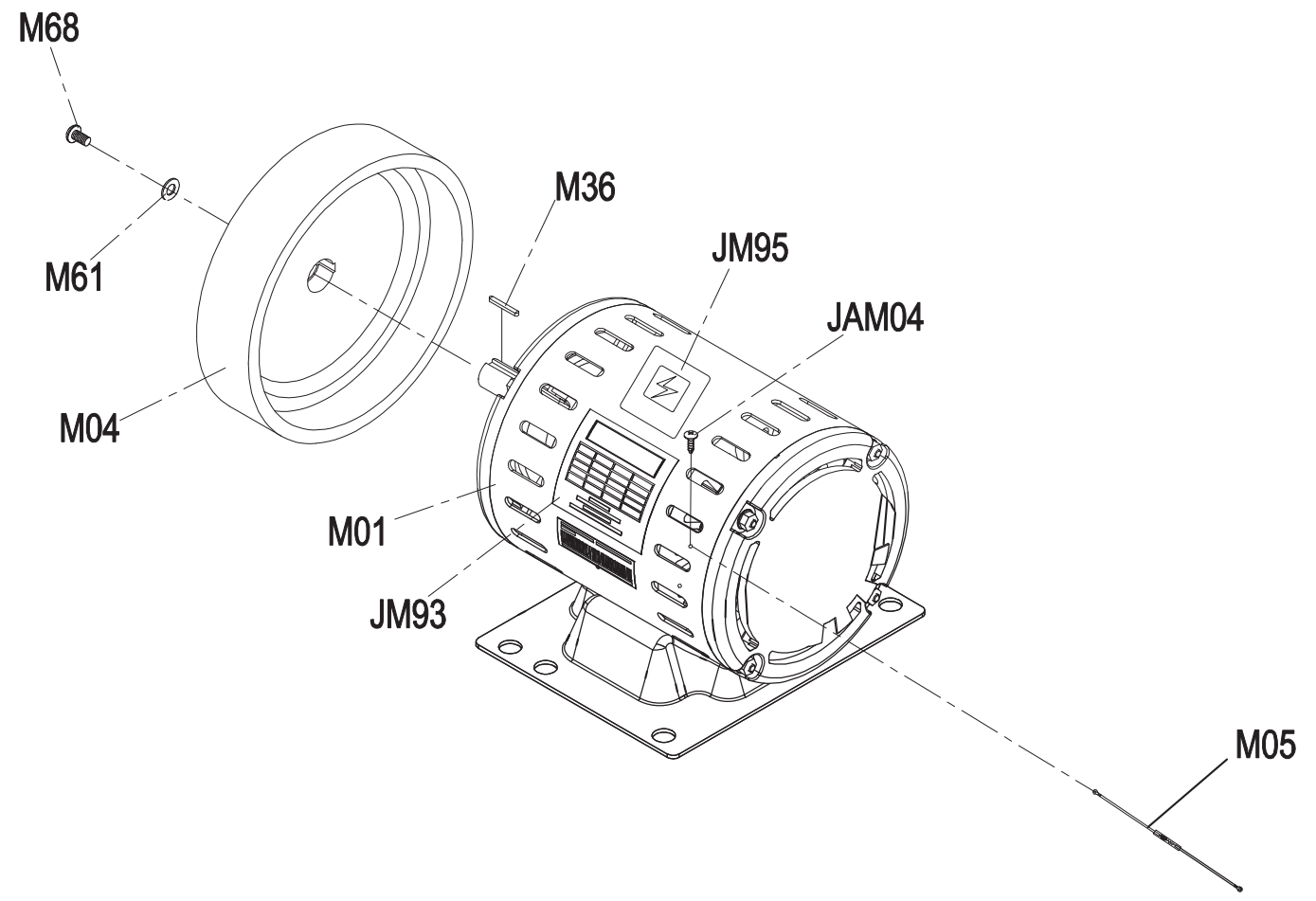
B36


Part No.	Description
1000204015	Miner
0000095663	Nai Ri

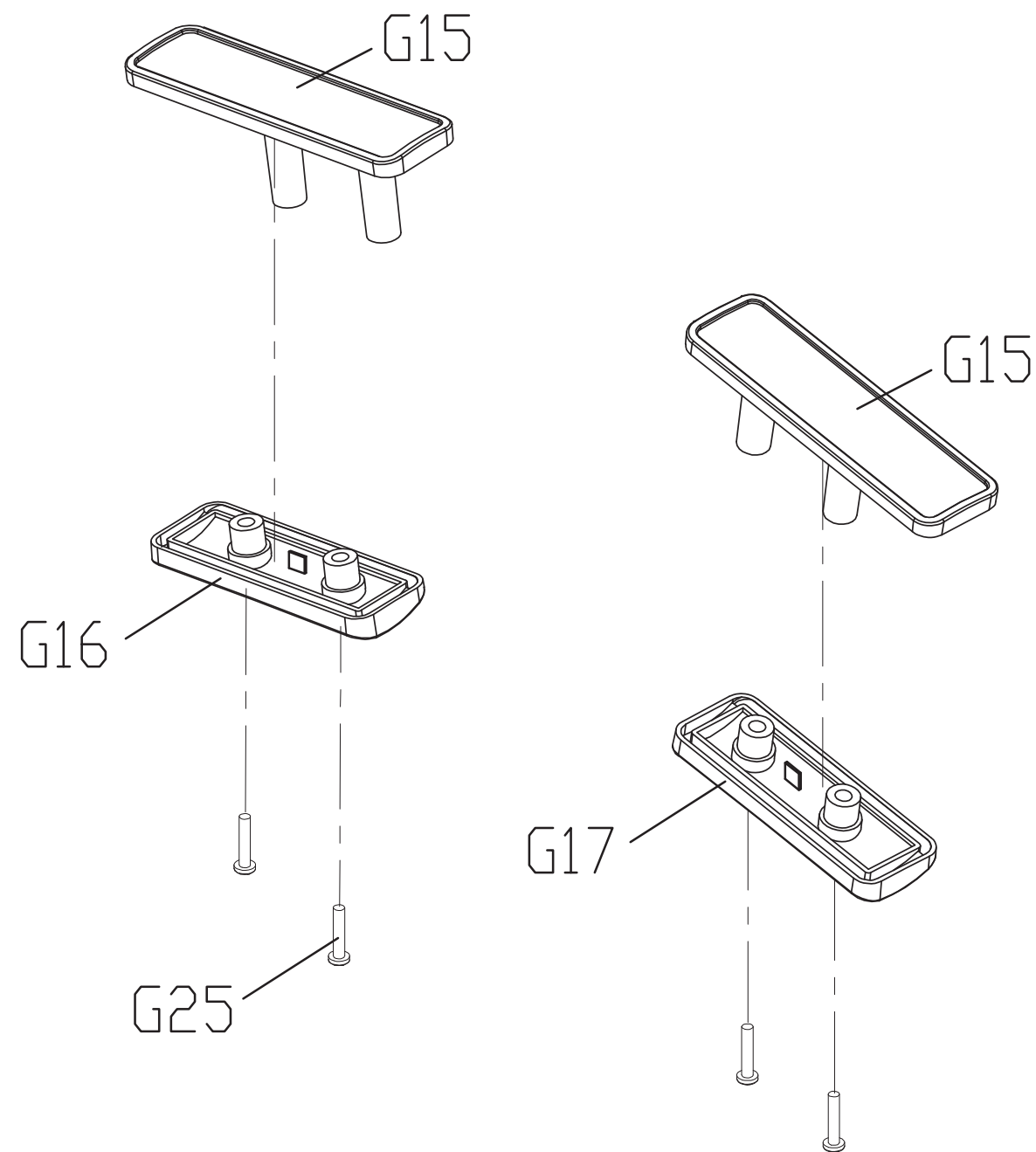
DRAWING NO	TM507-AQ2		
PART NAME	Velcro Set		
PART NO	0000093024		A
APPROVE	Shuyi	DATE	010612



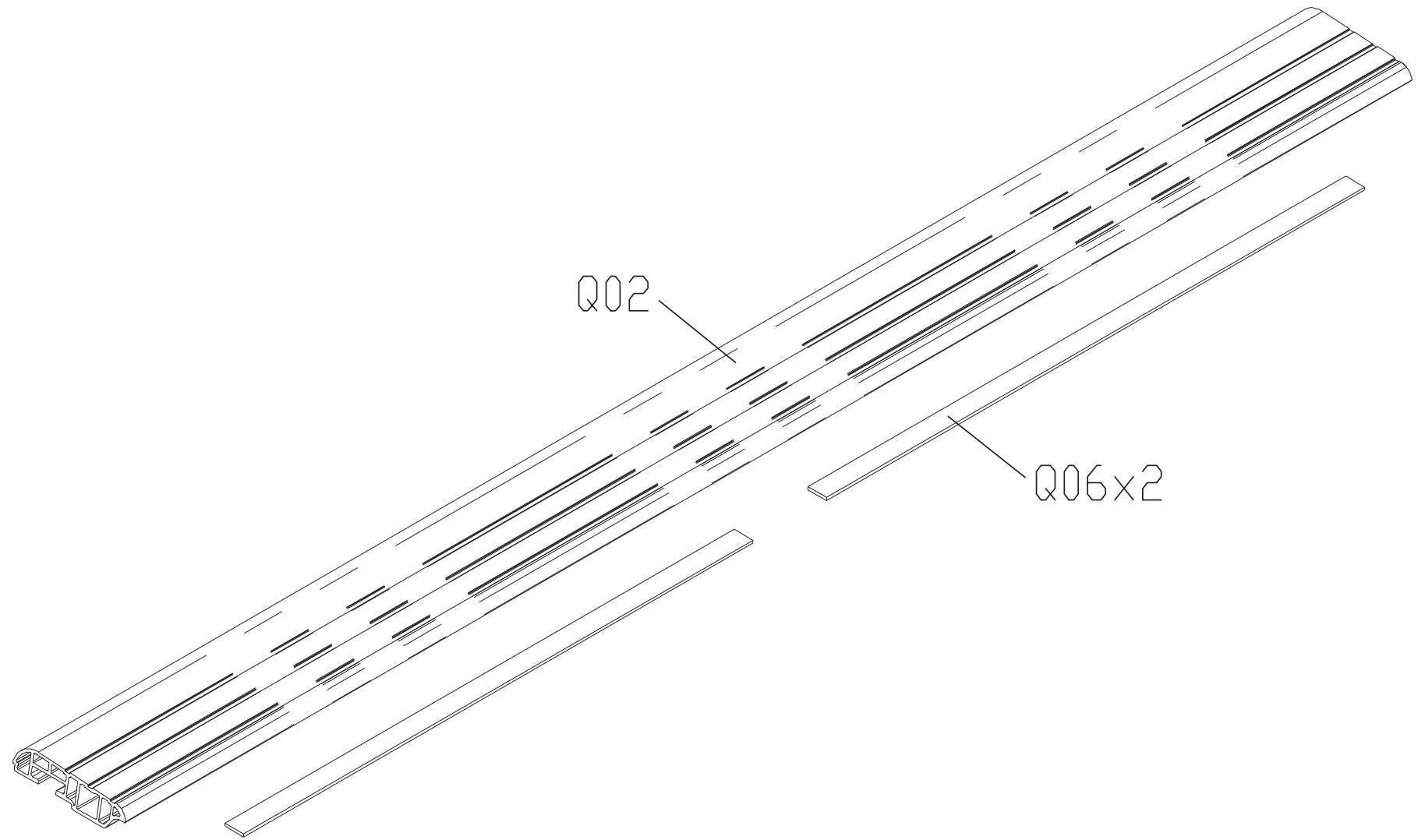
DRAWING NO	TM526-AM1		
PART NAME	Motor Set		
PART NO	1000343457	REV	A
APPROVE	Huanghai	DATE	2015.3.19



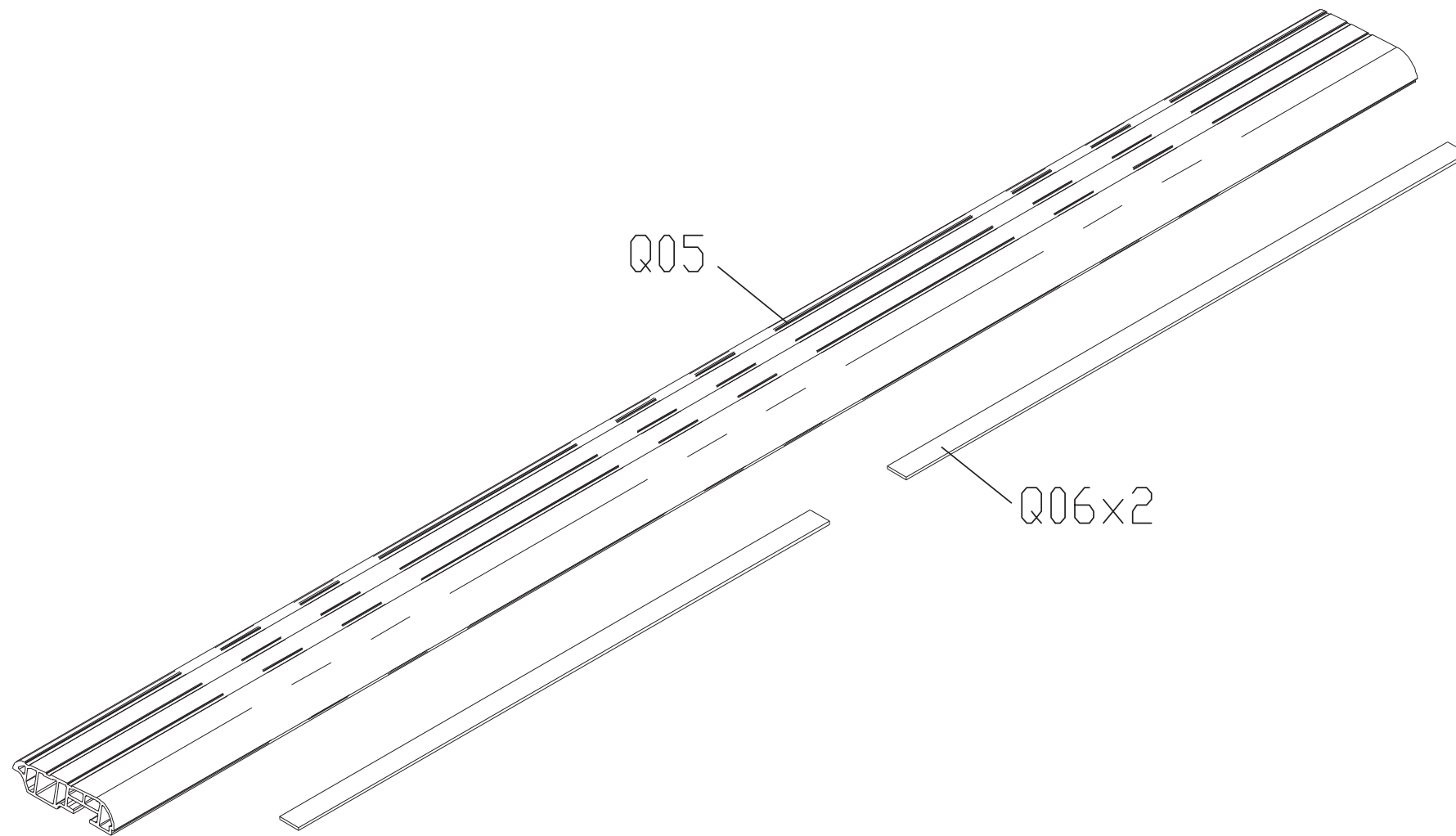
DRAWING NO 圖 號	TM509-AG10
PART NAME(CH) 零件名稱(中文)	握管組;感應器
PART NAME(EN) 零件名稱(英文)	Grip Tube Set;Sensor
SAP PART NO SAP料號	0000093038  A



DRAWING NO	TM507-AQ3		
PART NAME	Side RIL SET;Left		
PART NO	0000093046	REV	A
APPROVE	zhouping	DATE	070215

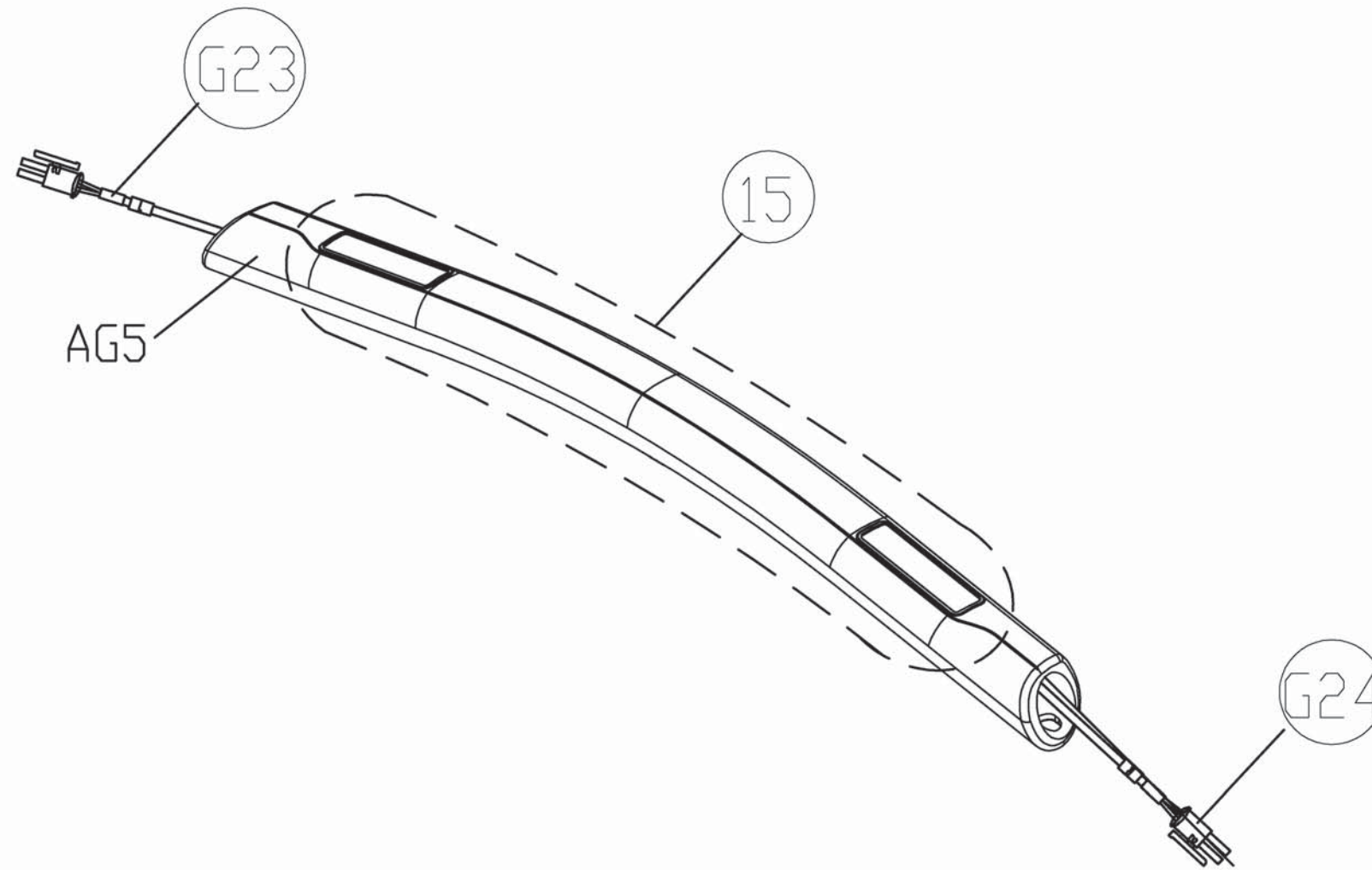


DRAWING NO	TM507-AQ4		
PART NAME	Side RIL SET;Right		
PART NO	0000093047	REV	A
APPROVE	zhouping	DATE	070215

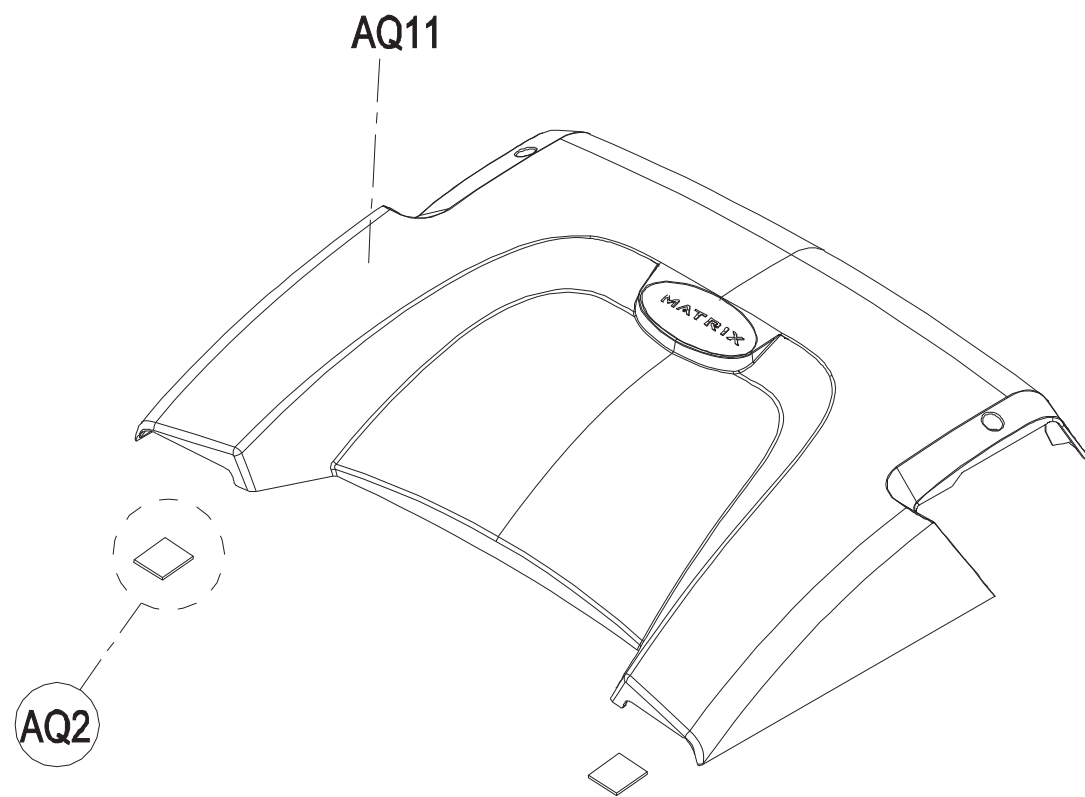




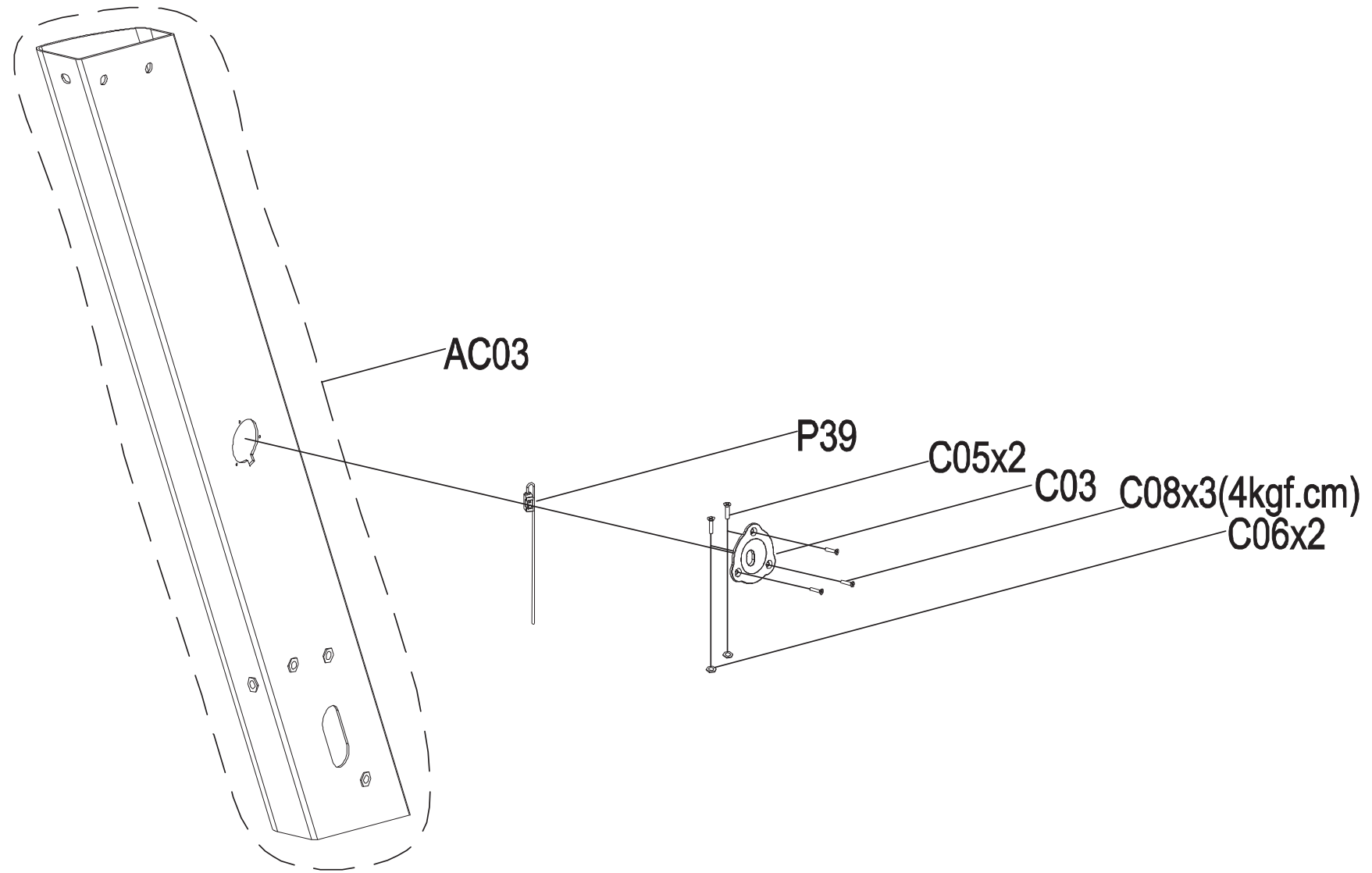
DRAWING NO	TM523-AG15		
PART NAME	Handlebar Set		
PART NO	1000231011 <sup>R</sup> <sub>B</sub>		
APPROVE	SHUYI	DATE	010313



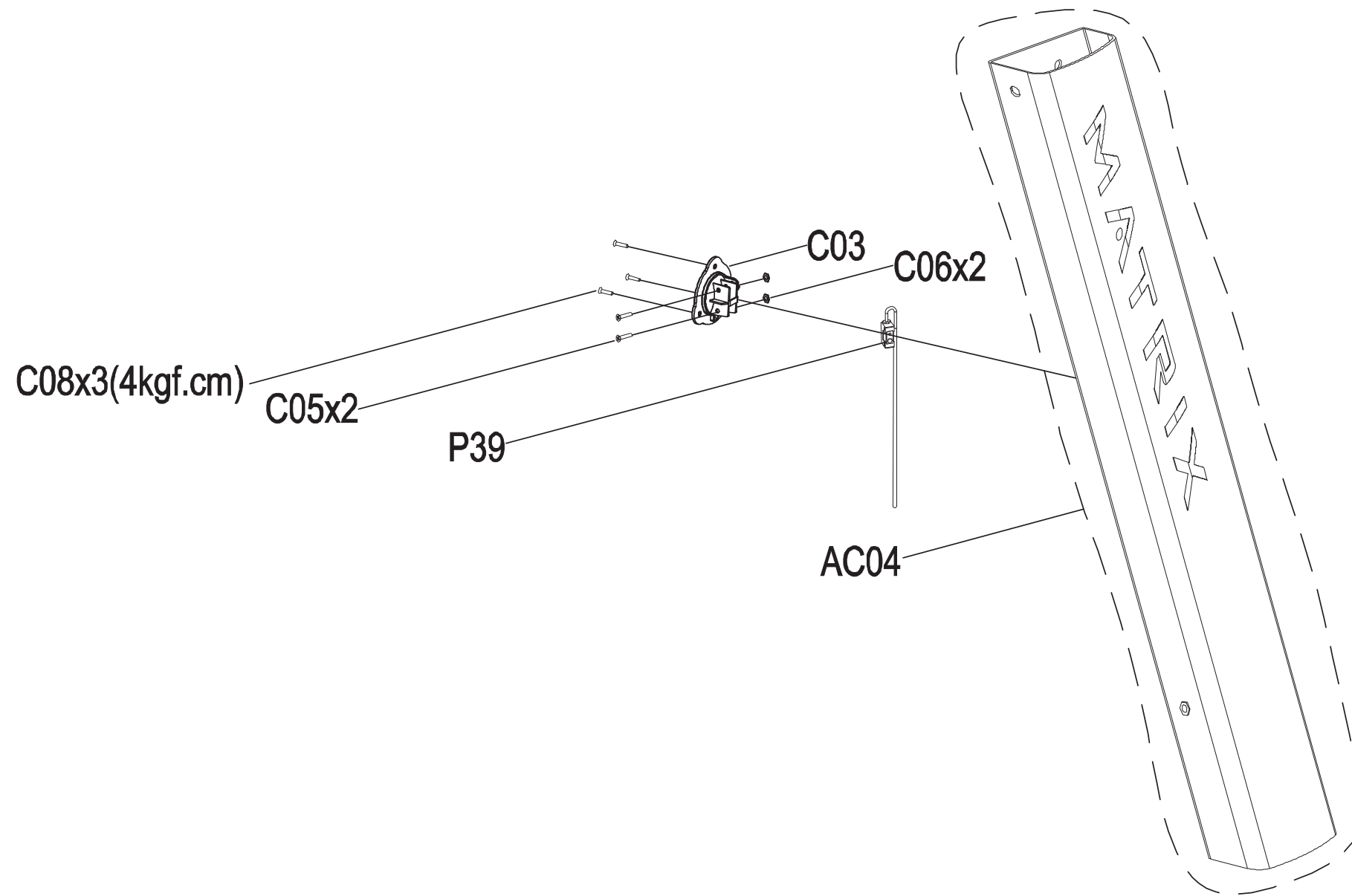
DRAWING NO	TM526-AQ1		
PART NAME	Motor Cover Set		
PART NO	1000344348	REV A	
APPROVE	Long yun bo	DATE	2015.8.21



DRAWING NO	TM722-A10		
PART NAME	Console mast set;L		
PART NO	1000396008	REV	A
APPROVE	Xiongjiawei	DATE	2016.09.07



DRAWING NO	TM722-A11		
PART NAME	Console mast set;R		
PART NO	1000396070	REV	A
APPROVE	Xiongjiawei	DATE	2016.09.07



Bubble #	OEM Number	Description	Notes
10	0000093047	Side Rail Set Right T1x-F	If this part is not in stock, send components <b>1000412624</b> and 0000095437 instead.
11	<b>0000091092</b>	Elastomer Set Running Deck Back T1x-F	
15	0000093038	Pulse Sensor Set	
2	1000231011	Handlebar Set T-3x-04-F	
3	1000343457	Motor Set with Elastomer TM526-1US-F	
4	1000396008	console mast set left TM722 service	
5	1000344348	Motor Cover Set up Include Nameplate TM	
6	<b>1000396070</b>	console mast set right TM722 service	
7	<b>0000095661</b>	Elastomer Set Running Deck front Nai Ri	
8	0000095662	Elastomer Set Running Deck mid Nai Ri T1	
9	0000093046	Side Rail Set Left T1x-F	
AB4	1000342909	Guide Tape Axle Set TM526	
AC10	1000341111	Support Seat Set handlebar right TM526	
AC9	1000340931	Support Seat Set handlebar left TM526	
AG03	<b>1000366736</b>	Arm Rest Set Semi-Assy left TM526	
AG06	1000366737	Handlebar Set Semi-Assy right TM526	
AH2	0000087213	Elevation Rack Set TM507-1US	
AM2	1000340320	Ecode set H001 T-3xh-F TM526	
AQ2	0000093024	Velcro Set Motor Cover T1x-F	
AR1	1000348797	Roller Set Front TM526	
AR2	<b>1000344328</b>	transmission set back JR02	
AR5	<b>0000094490</b>	Running Belt Print TM68B 508x3275x2.5t	
B05	0000086749	Fix Plate End Cap B SPHC BED 5.0t T1x	
B23	0000088932	Ornament Plate Frame SPHC 1.0t BED T1x	
B25	0000089043	Rear Roller Bracket Left.B BL TM509	
B26	0000089044	Rear Roller Bracket Right.B BL TM509	
B31	<b>1000211468</b>	Fix Plate Power Switch SPHC 1.6t BED	
B33	0000089165	Clip Nut Attached Plate Elastomer SPCC 1.6t Zn Pl	
B35	<b>1000412624</b>	Cushion Deck NBR Black 30x37 TM501	
B36	<b>0000089488</b>	Elastomer Set Running Deck Middle T5x-02	
B37	065871-A	Washer Flat 10.2X34.0X3.0T BAN	

B38	000500-00	Leveler Frame
B39	004284-AB	Running Deck 605X1390X25.4T Timber
B40	0000084526	Bracket Side Rail SPHC 2.0t TM501
B41	0000095437	Nut Nik M8X1.25Px6t BZN
B42	004385-00	Screw BH M5X0.8PX12L PH BAN
B43	004562-AB	Screw Hex Socket Sink Stainess M8x1.25Px35L
B44	0000094172	Screw FH M8x1.25Px40L HS SST BAN
B46	004479-00	Screw Round Hex Socket M8X1.25PX15L
B47	0000082734	Washer Senated M5.3X10X0.6 Zinc Plate
B49	004889-00	Nut Hex M5x0.8P Nickel
B51	020455-00	WASHER FLT Diam.6.2XDiam.20.0X1.0T BZN
B52	0000089800	Washer DSP 6.4X14.0X1.2T SPHC
B53	0000089153	Screw SH M6X1.0PX110L HS BAN
B54	1000307388	Frame GND knitted&metallic 40mm 6 O
B55	005010-00	Washer Spring 10.75x17.2x2.16t
B56	004615-AD	Screw Button Head Diam.4X10L Sheet Metal
B57	004384-00	Screw Phillip BH M5x0.8Px30L Ni Gap
B58	005238-00	Washer Lock 8.2x16x1.25T
B59	0000084584	Screw BH M8X1.25PX20L HS BAN
B60	037990-A	Electricity Wood Board 80.0x240.0x1.0t T
B61	1000212621	Screw BH M4X0.7PX40L - PH - BZN
B62	004524-AC	Screw SH M10X1.5PX70L HS BZN
B63	004912-A	NUT HX M10x1.5P SS41 BZN
B64	005067-00	Washer Flat 10.2X15.0X1.5T Black Zinc
C06	004922-00	Nut Nylon M3x0.5P
C08	004433-AB	Screw Plain PH M4X0.7PX10L
G15	0000086068	Cover Sensor Upper ABS/PA-746 MT-11010
G16	0000085274	Cover Sensor L ABS/PA-746 426C TM501
G17	0000085275	Cover Sensor R ABS/PA-746 426C TM501
G23	1000231001	Pulse Sensor Left (H6630R1-1X3+110X
G24	1000231002	Pulse Sensor Right (H6630R1-1X3+110
G25	0000086278	Screw Phillip Round M3x0.5Px15L BED
H11	1000343262	Screw-Extrawork grinding TM512
H13	000035-D	Transport Wheel Nylon 100 BL TM65



H14	005042-00	Washer Flat 8.2X30.0X2.0T Black Zinc
H15	004757-00	Screw Oval Hex Socket M8x1.25Px12L
H16	005220-00	Washer Wavy 20.7x29.1x.3T
H18	020378-00	Nut Hex M16x2.0Px7.8t
H50	103299	Bushing Pedal Arm
H61	0000093781	Washer SPL 17.3x26.3x3.0t BZN
JAM04	0000095703	Screw RND M3.5X6L TC PH WZN ROHS
JD08	1000340322	Controller Motor 2945467100 V1.01 Delta
JM13	0000086720	Elevation Motor 1300LB/115V 127mm TM501
JM95	1000301975	Warning Label Motor T80
M04	003824-D	Flywheel Motor
M05	038118-A	Ground Wire Motor 240L (KST RVS3-5)x2 TM
M06	004589-00	Screw Hex W3/8x47L/Tooth14L
M09	001295-B	Insulating Sleeve Screw ABS 10.2X14/24X7L
M12	0000094431	Fan Cooling FD128025LB DC 12V/0.1A T7000
M15	1000340321	Sensor set T-3xh-F TM526
M16	1000341116	Brass Pillar M4x7
M17	018618-00	SCREW RND M4X0.7PX8L PH
M18	1000341117	Anti-Dust cover E-COVER ABS/PA765A SL/G
M19	020478-00	Washer Flat 10.2x20.0x2.0T Black Zinc
M20	020104-AD	Screw Hex Socket Round M10x1.5Px30L Adhe
M21	004934-00	Nut Nylon 3/8'-16UNC
M22	0000093962	Pin Elevation Clevis SCM440x15x65L Runner Gold
M23	008652-A	Pin Hairpin Cotter 2x33L ZNC
M26	004376-00	Screw BH M5X0.8PX8L CT PH BZN
M30	1000396097	Filter 20A 125/250V BF1103-20A-04(3)
M33	000885-C	Rubber Pad Motor Anti-Shake
M35	1000227226	Washer Flat ?X10.5x?X25.0x1.0T Nylon+S2M
M44	004361-AB	Screw Phillip BH M4x0.7Px10L BED Gap
M45	0000086524	Guard Fan PG-80 BLACK
M61	005109-00	Washer Flat 8.5x25x1.5T Black Zinc
M68	004695-AB	Screw Hex Socket Flat M8x1.25Px12L
Not Shown	1000343464	Hardware Set TM526 T-3XH-F

P01	1000317845	Power Switch ON-OFF W/ Light 125V/250V 2	
P02	002127-A	BS Wire 60L 12AWG Black TM86	
P03	1000350436	Power Socket Set 12AWG+14AWG 100+250	
P04	1000340192	MCB power wire 12AWG,14AWG,12AWG 200	
P05	0000086674	Power Wire EMI Filter to Switch 200(RVS	
P06	002391-A	Ground Wire EMI Filter W/FERRITE 160L	
P07	1000209313	Circuit Breaker 20A 125V/250V RFLB-2	
P08	1000340193	Connect 28AWG 500L Encoder T-3xh-C T	
P09	0000087241	Wire TV Signal 180L(GF-C075)x2 T1xe	
P10	0000089860	Cap C-SAFE NYION 6/6 BL T1x	
P100	1000409667	Fixing Plate Power Cord SPHC 42.0x37.0x	
P14	065248-A	TV Coax Adaptor Female F-A028-NBX7-C	
P20	1000444155	Cat6 Network Signal Wire 180(KINSUN,320	
P22	1000228280	WIRE TV PWR EXT 250(SCD-554CCS103B00G+TK	
P26	004361-AB	Screw Phillip BH M4x0.7Px10L BED Gap	Used to attach exchange board (P40) to frame.
P27	001682-00	Clip Tie Strap Hold Down HC-0L P	
P28	1000356655	External PWR Wire Set 10 feet US TM526	Per John Guld, this is the only power cord that will work with P100.
P29	0000093219	Jacket PVC A5X-03-F US EP79	
P30	1000203251	Plastic Base WH CHF-11E	
P38	1000388050	Sensor CON 26AWG 700 H6630R1-1X3+H20	
P39	1000388122	Sensor Set 26AWG 600 XE-SP2M H663	
P40	1000379842	Exchanged Board HGPH V1.005 T3XH-02 L	Exchange board attaches to the bottom of the frame in front of the MCB. (Use two P26 screws to attach).
P41	1000381592	Digital COMM Black 22AWG 150L Molex,5	
P42	020004-00	SCREW RND M4X0.7PX6L PH	
P43	1000341116	Brass Pillar M4x7	
P50	056225-A	Ferrite PART OF #79 CABLE NOT ORDERABLE	
Q02	0000087368	Side Rail Left PVC 80435/137C T1x	
Q03	0000087369	Rear End Cap Left ABS PA-765A 80435 T1x	

Q04	0000087370	Rear End Cap Right ABS PA-765A 80435 T1x	
Q05	0000087371	Side Rail Right PVC 80435/137C T1x	
Q06	1000366832	Cushion Side Rail SBR	
Q21	020096-00	Screw Hex Socket Round M8x1.25Px15L Chromed	
Q23	020351-A	Screw Phillip Sink Tapped 3x12L	
Q24	005079-00	Washer Flat 5.2X12X1.0T Black Zinc	
Q25	0000083674	Screw Hex Socket Round M5x0.8Px15L Gap	
R03	1000344351	Belt POLY-V Flexonic 619-PJ10 HUTCHINSO	
R51	004496-00	Screw Hex Socket Round M10x1.5Px90L	
R53	004481-00	Screw Hex Socket Round M8x1.25Px45L	
R54	005044-00	Washer Flat8.3x16x1.3T Black Zinc	
R55	005014-00	Washer Spring 8.0x17.0x1.5T	
Z11	004539-AD	Screw Round Hex Socket M8X1.25PX25L Chromed	
Z12	005145-AC	Washer Flat 8.2x19.0x2.0T Chromed	
Z13	1000364334	Washer Spring Lock 8.0x13.0x2.0t Stain	
Z14	004538-AC	Screw Socket Head M8x1.25Px20L Hex Sock	
Z15	004859-AC	Screw BH M8X1.25PX20L HS CHM	
Z16	1000215465	SCREW SH M8X1.25PX15L MT HS SST -	
Z18	1000351761	Screw Button Head M8x1.25Px16L Hex Sock	
Z19	1000342599	Screw Socket Head M8x1.25Px70L-30L Adher	
AB29	Part of Kit 7	Elastomer Set Semi-Assy Nai-Li TM501-1	
AG5	0000088939	Extrawork Grip BL T3x	Part of Kit 2
AQ11	1000344349	shield set motor up TM526	Part of Kit 5
C03	1000381539	Fixing Base ABS/PA757 8.83g TM722 PAN	
C05	032456-00	SCREW BH M3X0.5PX18L PH WZN ROHS	
JM93	1000318747	Marking Motor AC230V 1500W Black/White	
M01	Part of Kit 3	Driver Motor AC 2.0HP 1500w 230V 1440R	
M36	0000095354	Key Round Dual-End 6x6x45L	
V12	1000410659	Decal TUV PETP TM722	
Z20	001688-A	Wave Tube KSS CR-07P f10.2xf7 300M/Reel	
AH2	0000093782	Elevation Rack Set TM507-1US	Discontinued
B36	1000208940	Extrawork Elastomer Running Deck Nai Ri	Discontinued

B42	004385-AE	Screw Phillip BH M5x0.8Px12L BED Gap	Discontinued
M19	020477-00	Washer Flat 10.2X20.0X2.0T Black Zinc	Discontinued
M30	1000303181	Filter 20A 125/250V DNF250-T-20A(2)	Discontinued
P13	001597-A	GROMMET NYLON WHT	Discontinued
P20	1000212816	Cat5 EXT Wire Net Signal 180(3205615600 8P+T	Discontinued
Q12	001540-B	Velcro Both Sides 50x50mm TM65	Discontinued
Q13	015139-AA	Fix Plate Velcro\\ D/C, NO REPL: Part will show as orderable until stock is depleted.	Discontinued